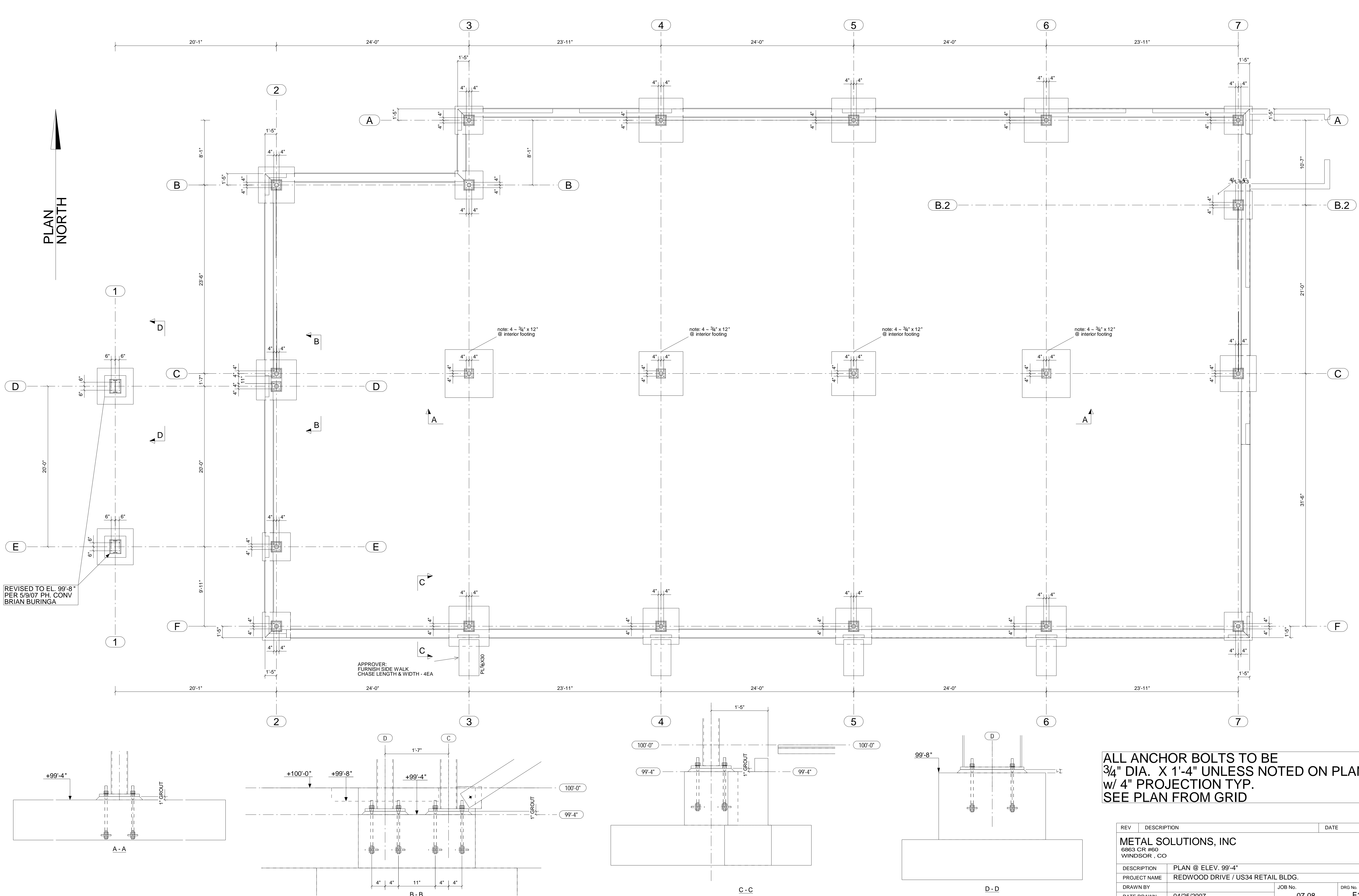


REV	DESCRIPTION	DATE
METAL SOLUTIONS, INC 6863 CR #60 WINDSOR, CO		
DESCRIPTION		
PROJECT NAME	REDWOOD DRIVE / US34 RETAIL BLDG.	
DRAWN BY	JOB No.	DRG No.
DATE DRAWN	04/25/2007	07.08
		3D

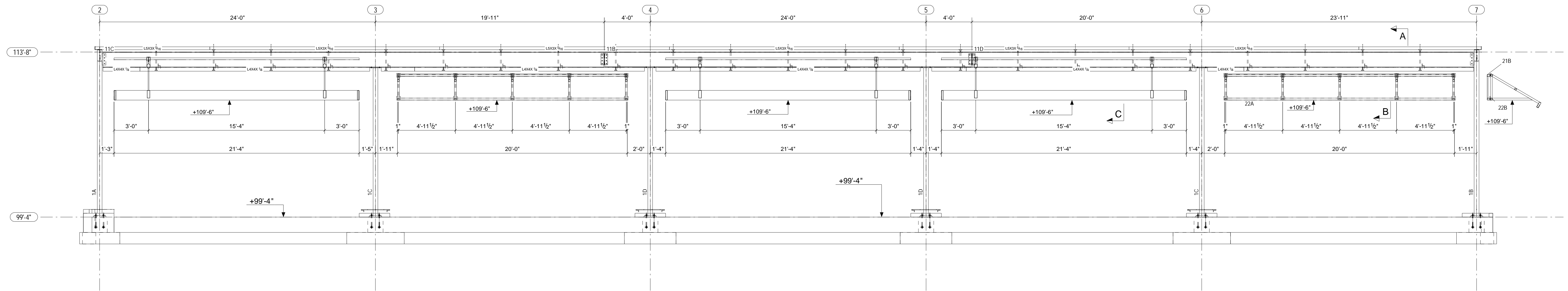
PLAN NORTH



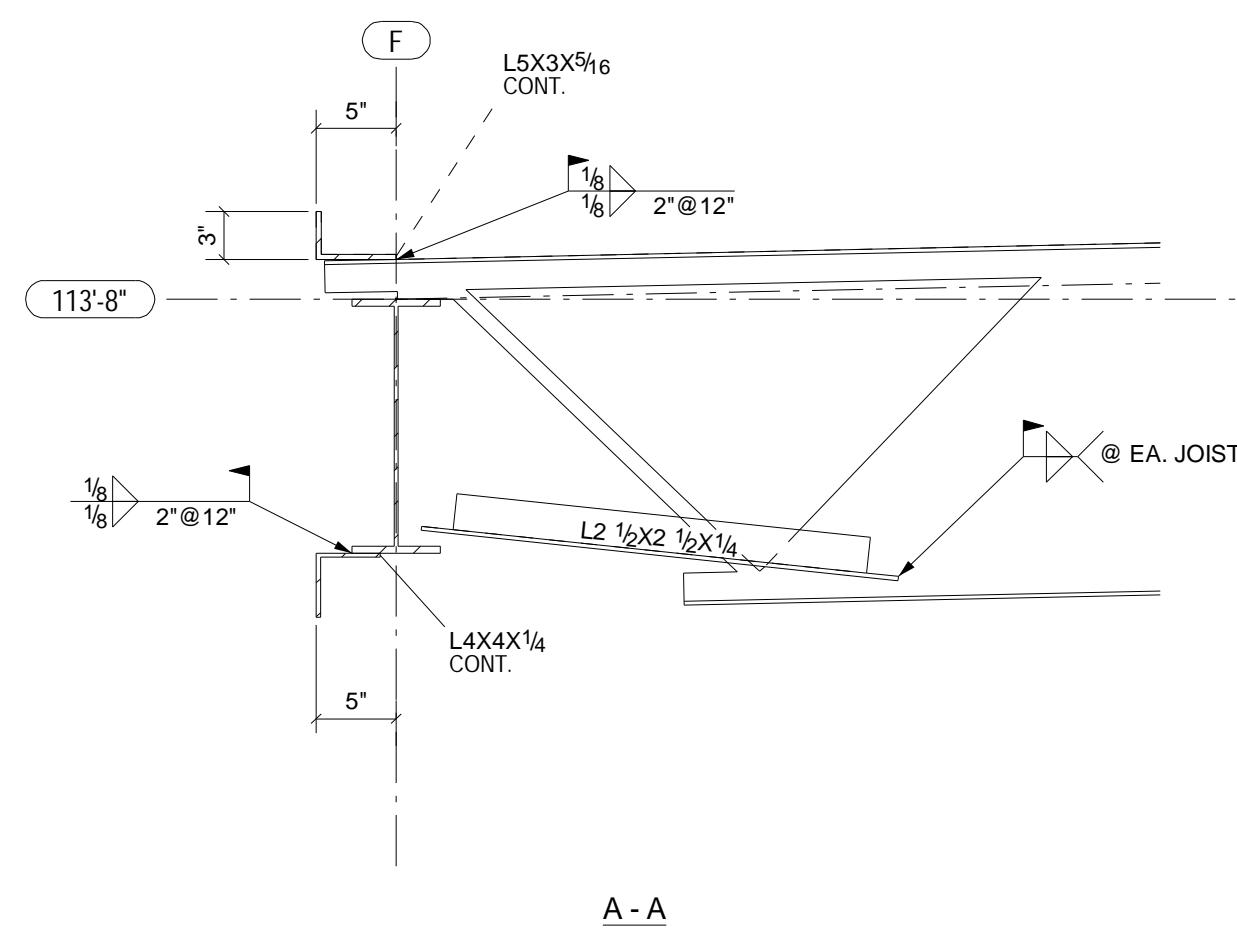
REVISED TO EL. 99'-8" PER 5/9/07 P.H. CONV BRIAN BURINGA

ALL ANCHOR BOLTS TO BE 3/4" DIA. X 1'-4" UNLESS NOTED ON PLAN w/ 4" PROJECTION TYP. SEE PLAN FROM GRID

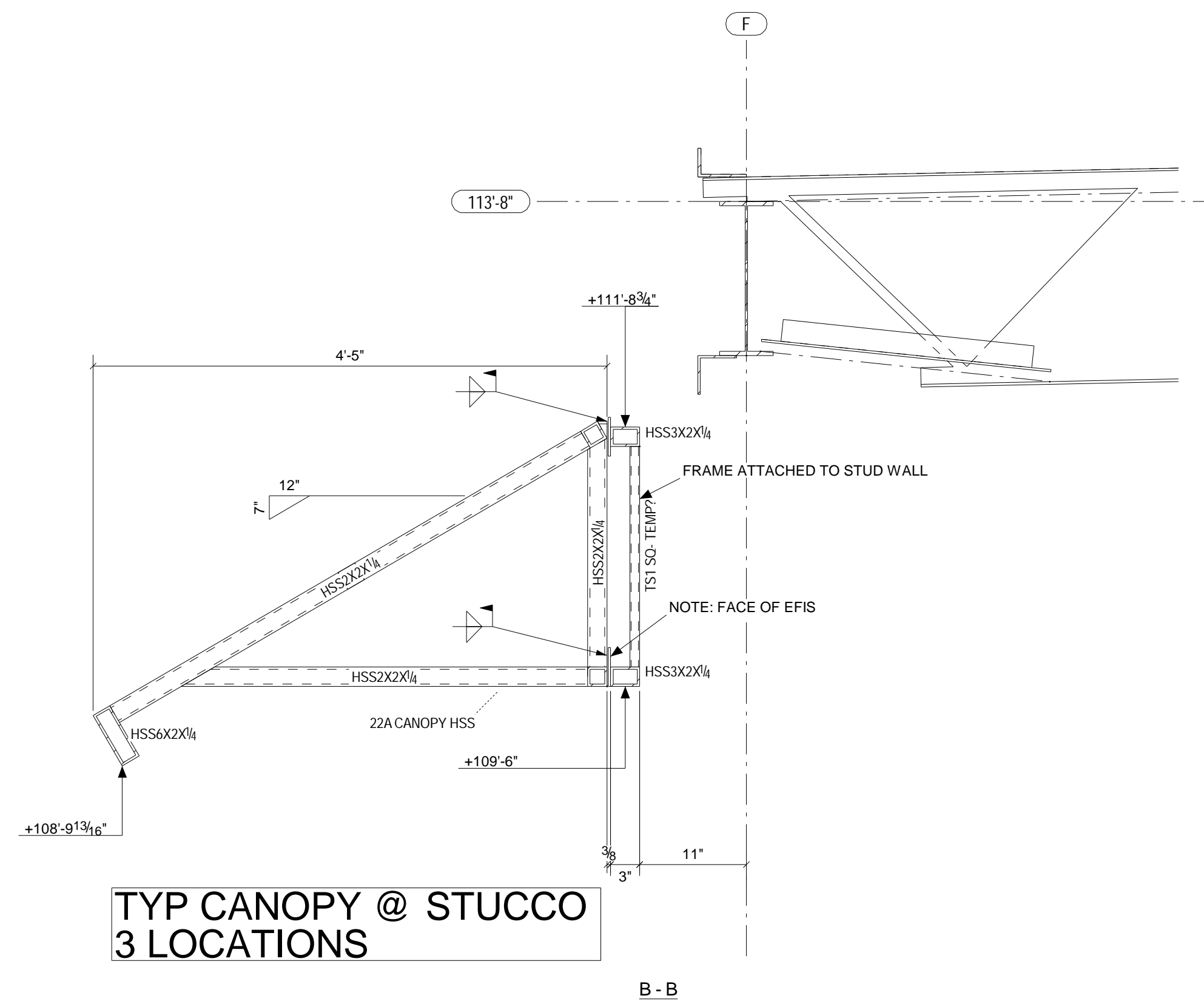
REV	DESCRIPTION	DATE
METAL SOLUTIONS, INC 6863 CR #60 WINDSOR, CO		
DESCRIPTION		PLAN @ ELEV. 99'-4"
PROJECT NAME		REDWOOD DRIVE / US34 RETAIL BLDG.
DRAWN BY	JOB No.	DRG No.
DATE DRAWN	04/25/2007	07.08 E1



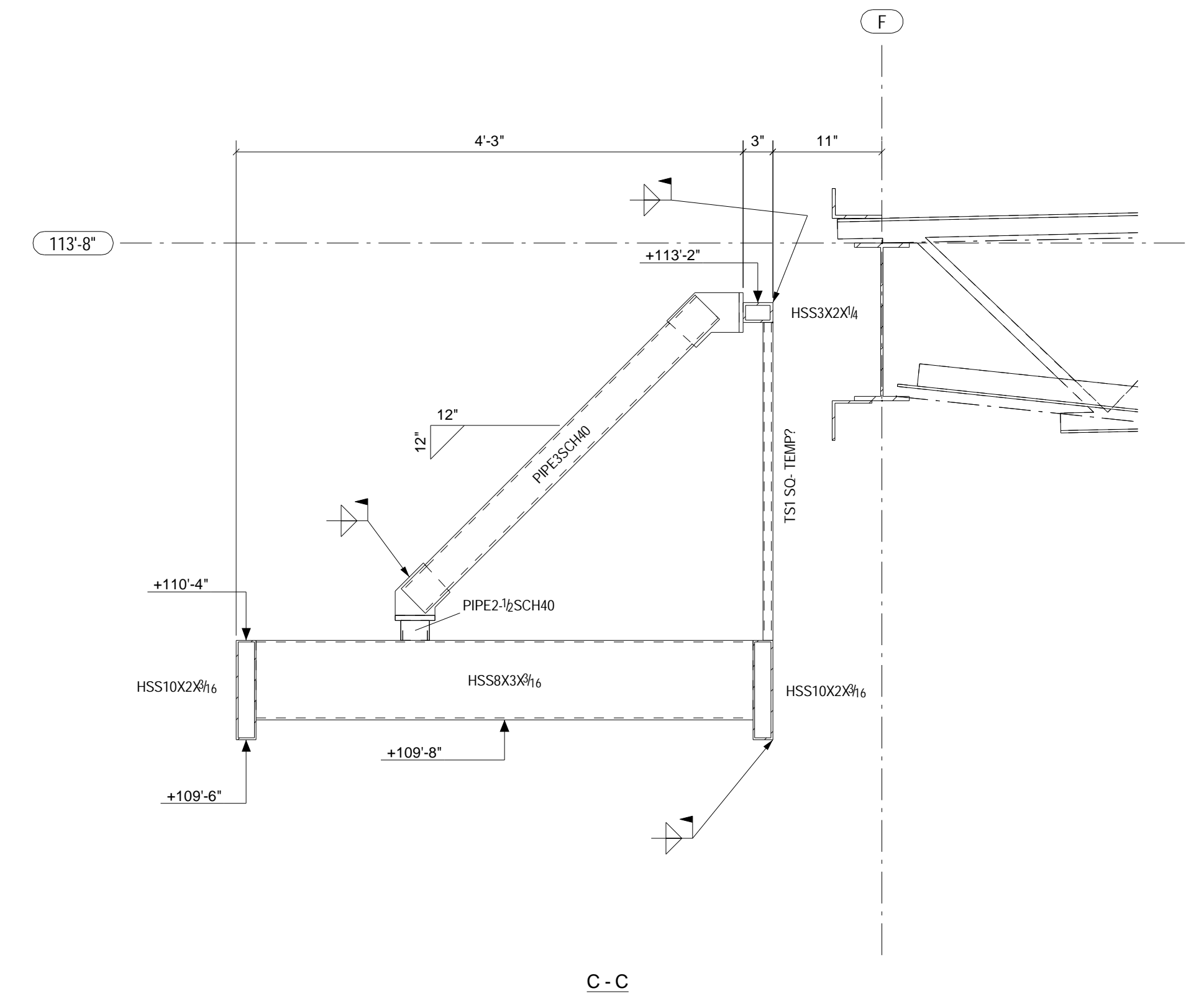
A - A
E2



A - A

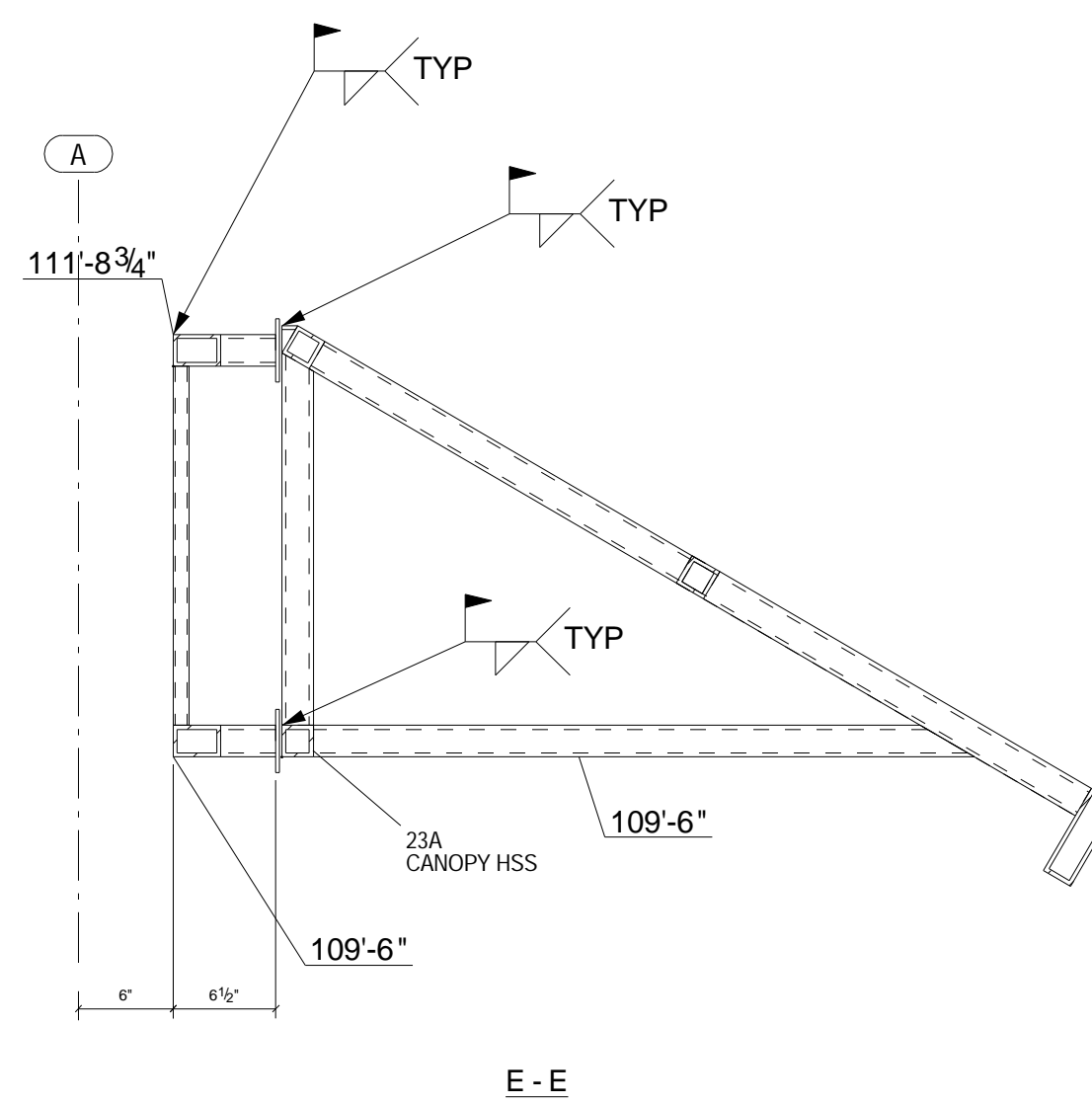
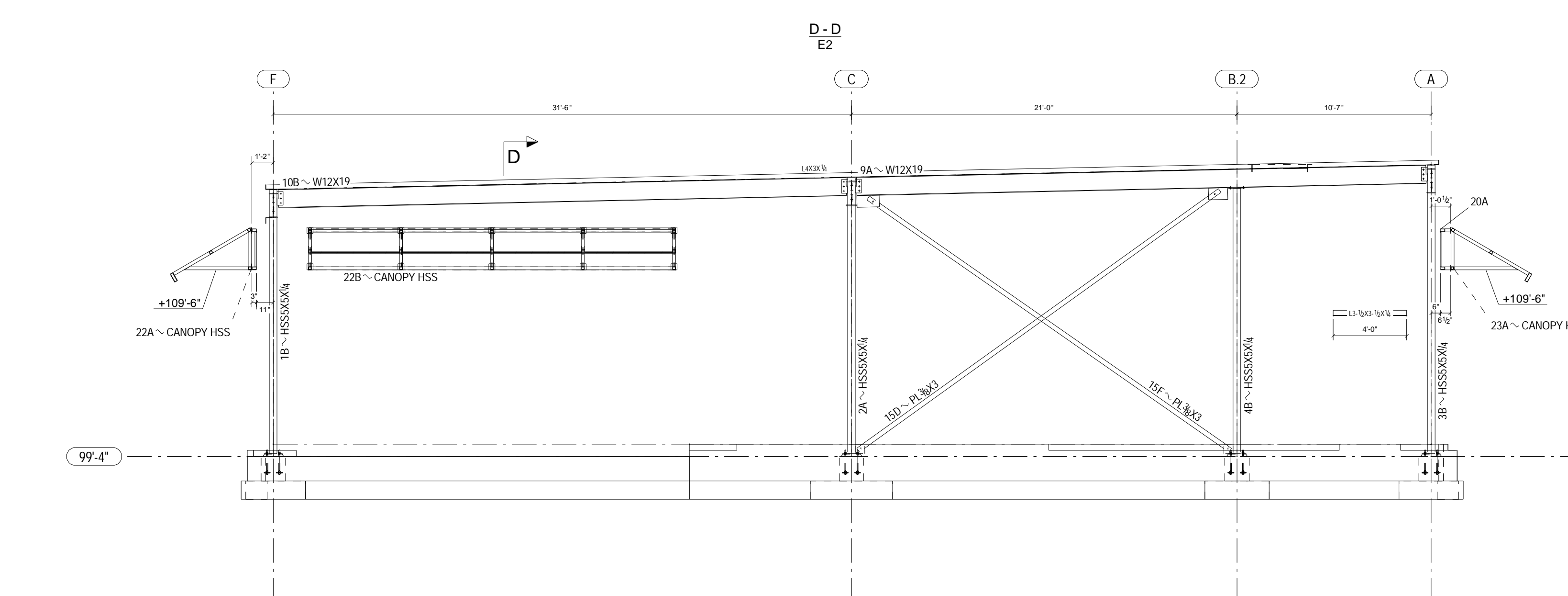
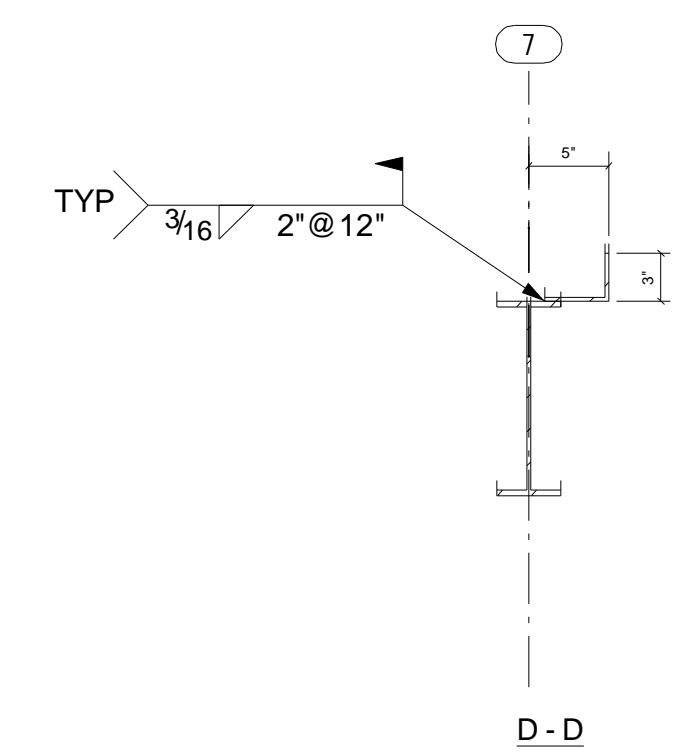
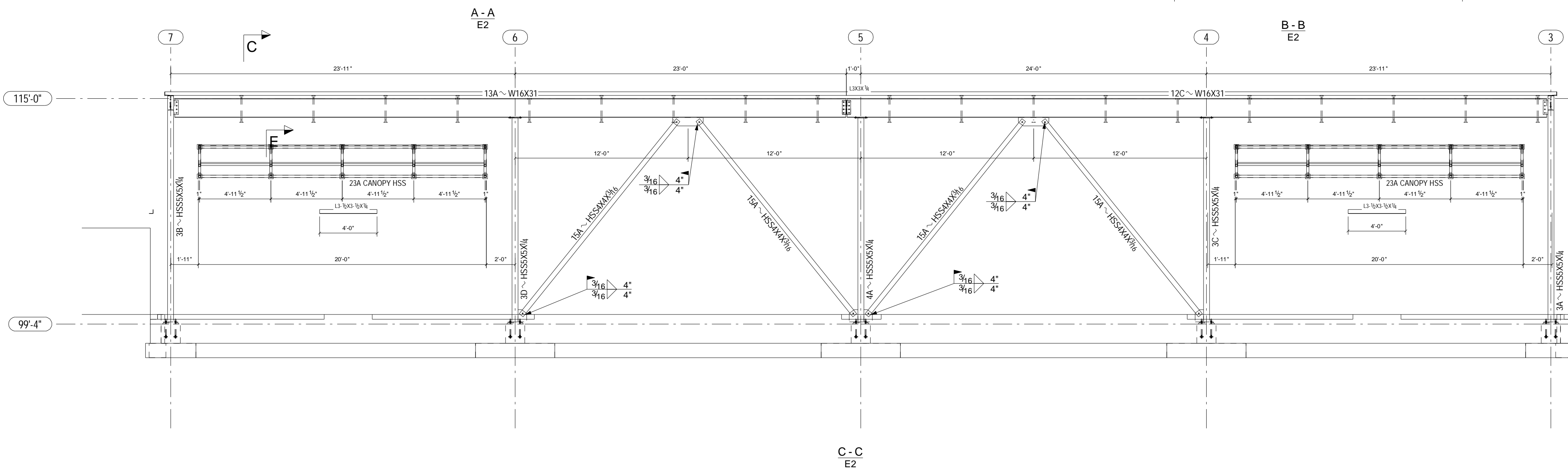
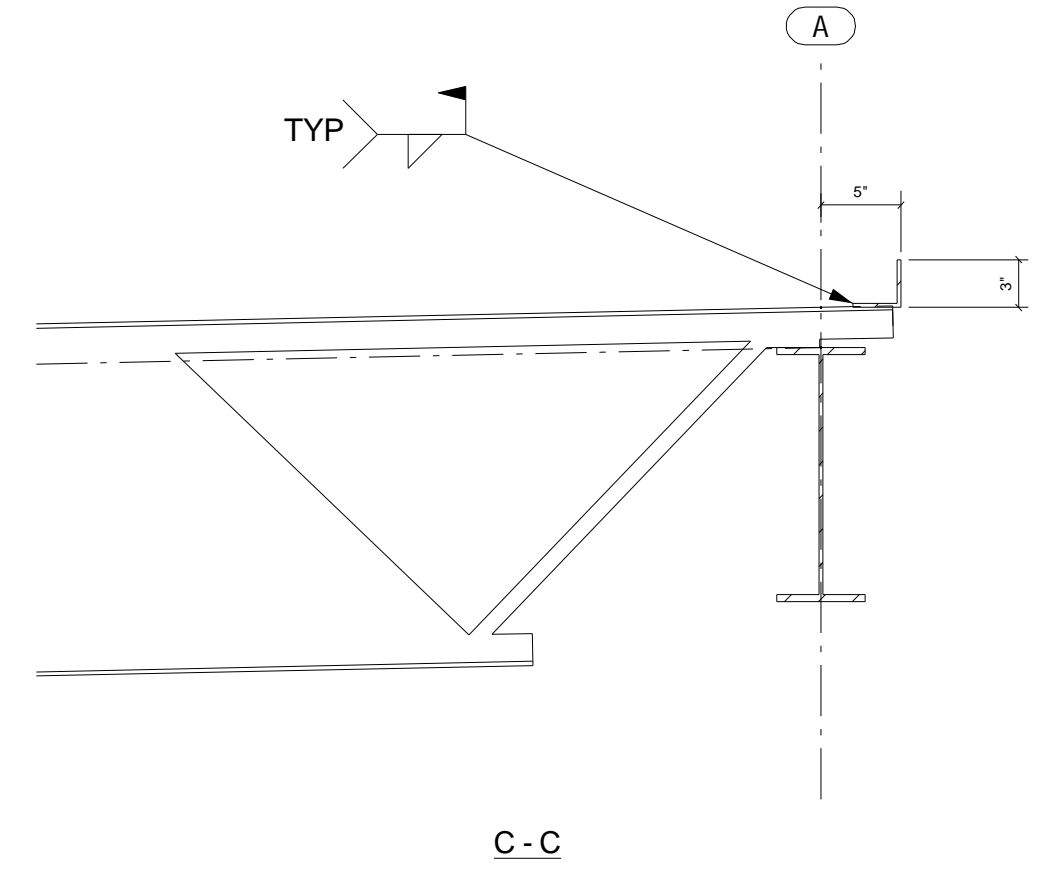
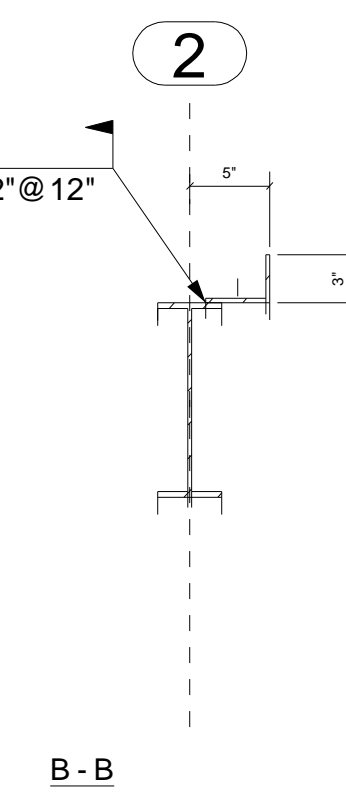
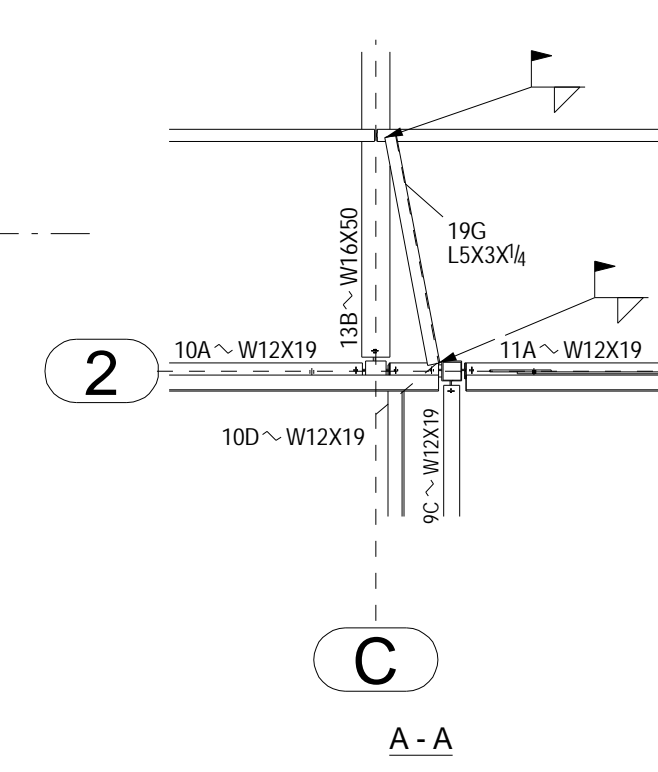
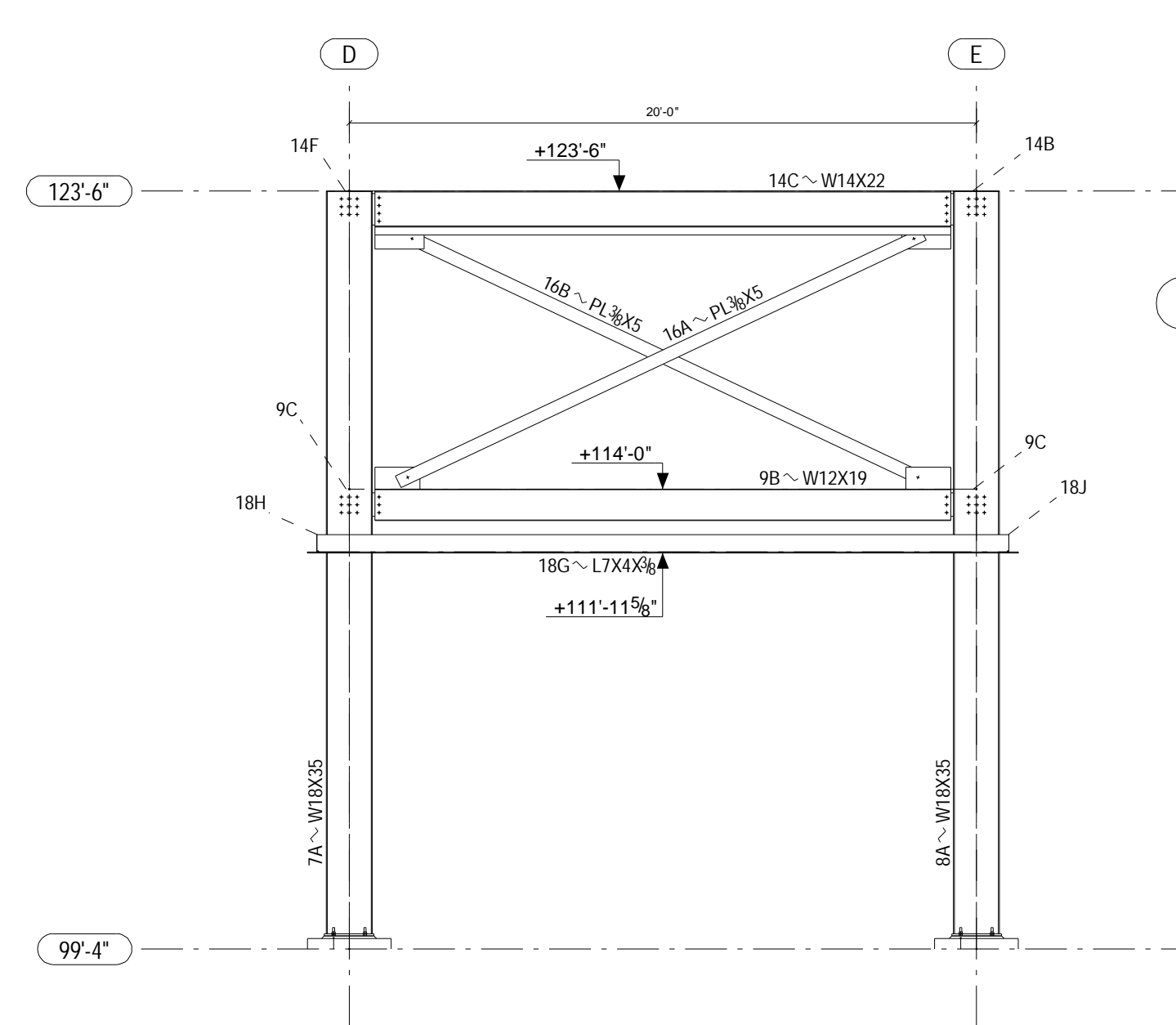
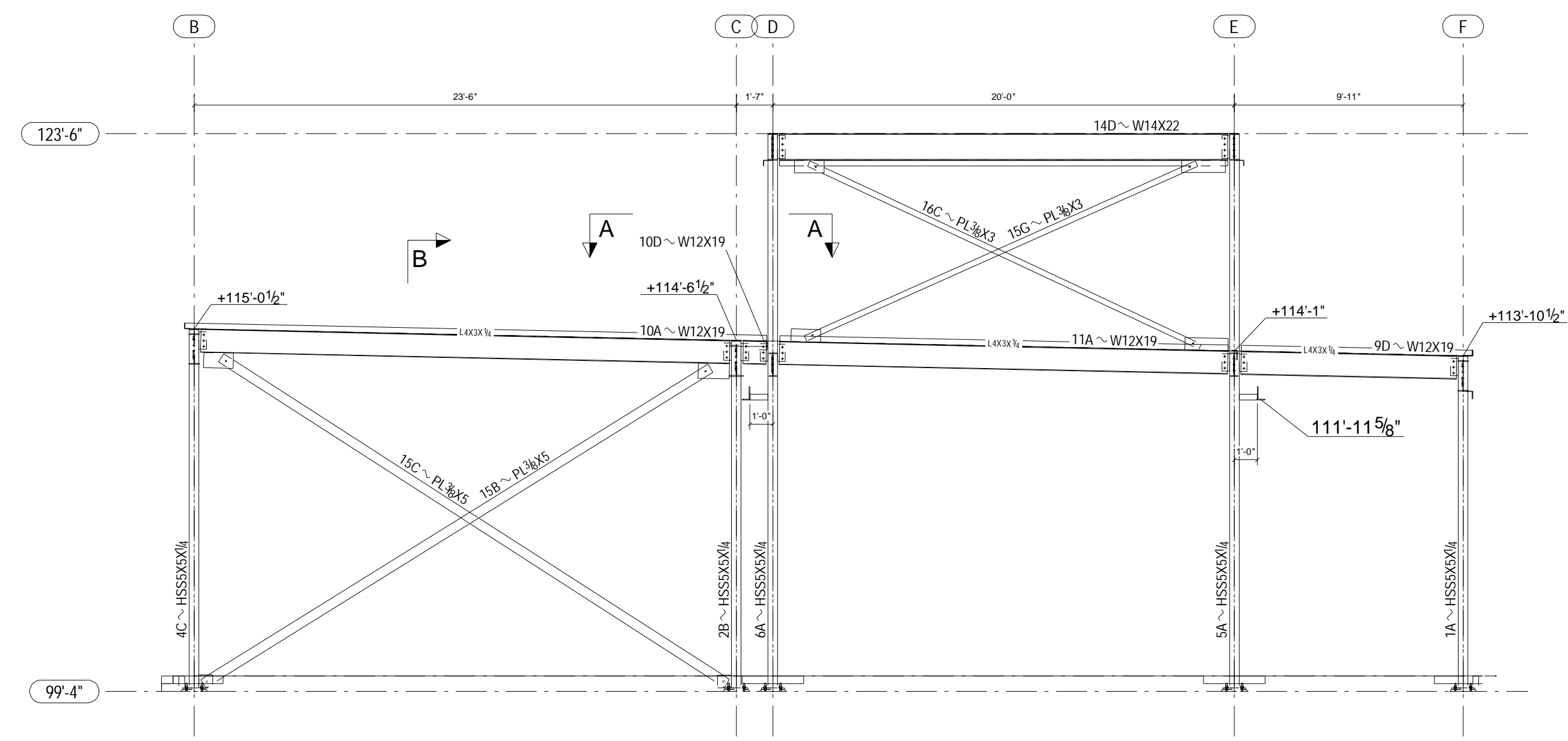


B - B



C - C

REV	DESCRIPTION	DATE
METAL SOLUTIONS, INC 6863 CR #60 WINDSOR, CO		
DESCRIPTION		PLAN @ ELEV.
PROJECT NAME		REDWOOD DRIVE / US34 RETAIL BLDG.
DRAWN BY	JOB No.	DRG No.
DATE DRAWN	05/09/2007	07.08 E3



REV	DESCRIPTION	DATE
METAL SOLUTIONS, INC 6863 CR #60 WINDSOR, CO		
DESCRIPTION		PLAN @ ELEV.
PROJECT NAME		REDWOOD DRIVE / US34 RETAIL BLDG.
DRAWN BY	JOB No.	DRG No.
DATE DRAWN	07.08	E4